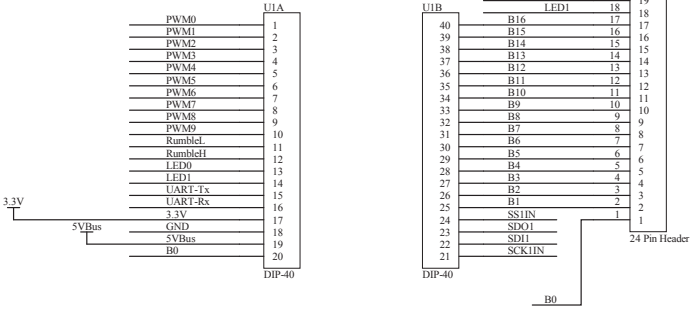
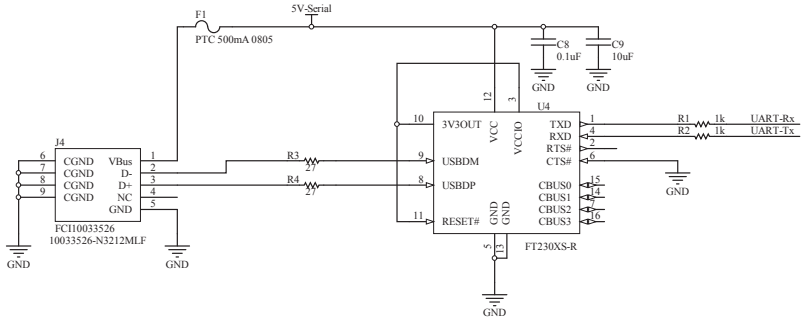
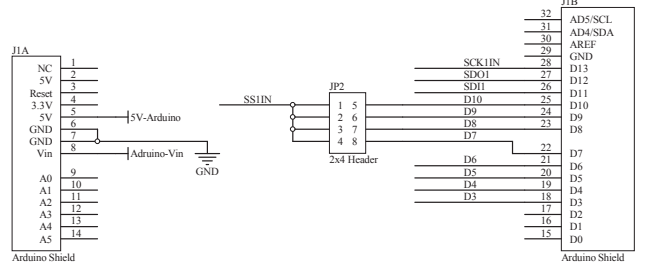
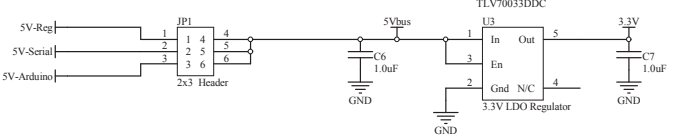
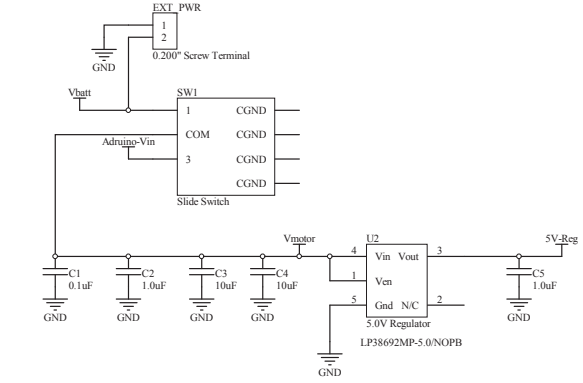
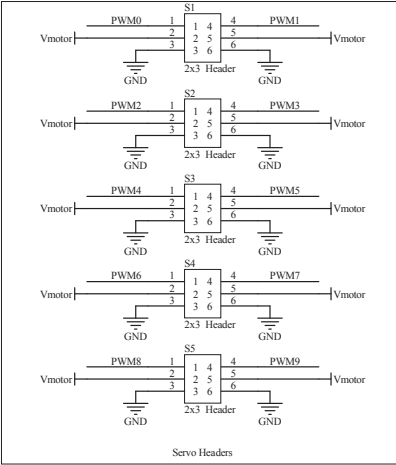


Schematic for ServoShock demo board/Arduino Shield



Title: ServoShock Shield	
Engineer: MH	
Size: B	002-2
Date: 9/15/2013	Revision: 1.3
Sheet 1 of 1	