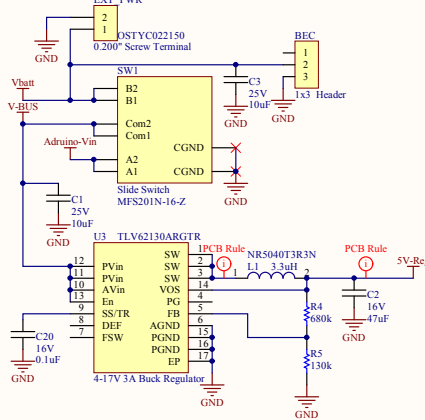
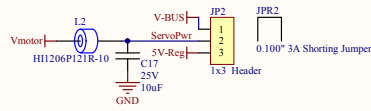


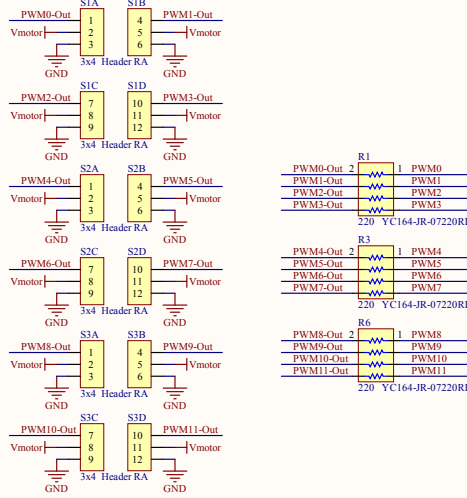
Power



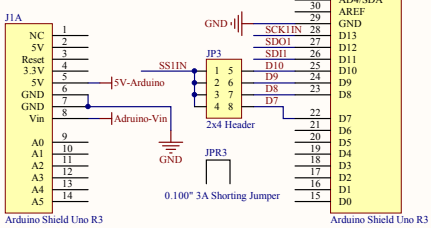
Servo power source select



Servo Output

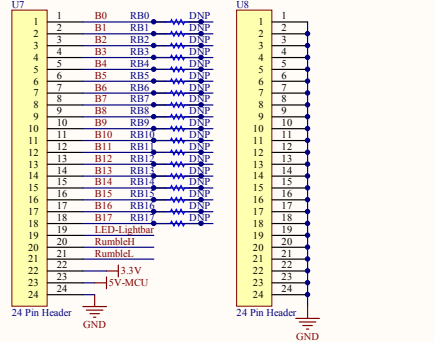


Arduino Headers

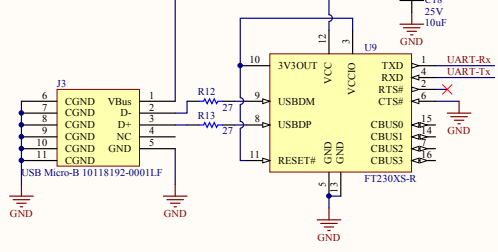


I/O. Aux Power Out

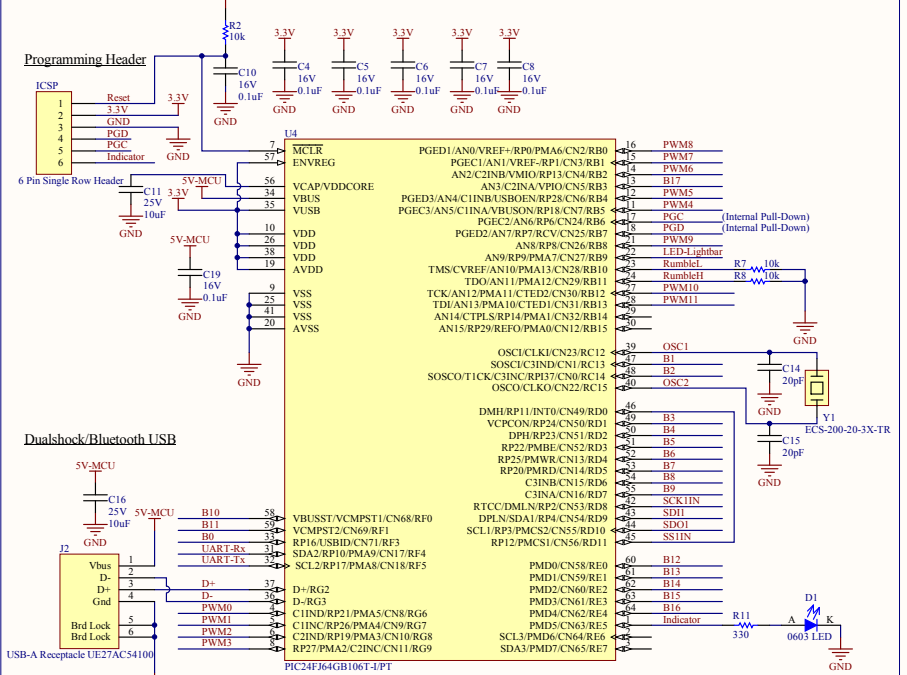
Cut trace to add inline resistor.



USB<->UART



MCU



Title: ServoShock 2		
Engineer: MH		
Size: B	003	Revision: 2,3
Date: 1/1/2018		Sheet 1 of 1